



**Thank you** for choosing the Infinity BassLink. BassLink has been designed to provide the kind of high-performance low-frequency reproduction that used to require big, clumsy enclosures, large amplifiers, and complex installation. To ensure maximum performance, we strongly recommend that installation be entrusted to a qualified professional. Although these instructions explain how to install the BassLink in a general sense, they do not show the specific installation methods for your particular vehicle. If you feel you do not have the necessary tools or experience, do not attempt the installation yourself; rather, ask your authorized Infinity car-audio dealer about professional installation options.

Remember to keep this manual and your sales receipt in a safe place for future reference.



 InFINITY®

**BassLink™**

instructions

**WARNING:** Playing loud music in an automobile can permanently damage your hearing as well as hinder your ability to hear traffic. We recommend using low volume levels while driving. Infinity accepts no liability for hearing loss, bodily injury or property damage resulting from the use or misuse of this product.

### YOUR CAR AND BASS REPRODUCTION

Depending on the interior volume of your vehicle and the dimensions of the passenger compartment and cargo area, reproduced frequencies below 80Hz may be boosted by nearly 12dB/octave as frequency decreases. This effect, known as the vehicle's "transfer function" or "cabin gain," plays an important part in shaping the overall in-car response of the BassLink.

BassLink is designed to reproduce frequencies below about 100Hz, but there may be other speakers in your vehicle that reproduce some of those same frequencies. It is important that all the speakers work together to reproduce frequencies they share. Depending on the orientation of the BassLink and the distance from it to the other speakers, the BassLink and the other speakers may be "in-phase" or "out-of-phase." The resulting conditions, known as constructive and destructive interference, also play a role in shaping the frequency response of your system.

Fortunately, BassLink has controls that may be adjusted to optimize both of these conditions. Successful installation will include "tuning" those adjustments; this process is detailed in a subsequent section of this manual.

## INSTALLATION

### CHOOSING A MOUNTING LOCATION

Choose a location that doesn't interfere with the loading or unloading of cargo, fold-down rear seats, or opening or closing of the trunk lid. The best location is likely to be the front or rear corner of the trunk or luggage compartment. These locations, in addition to being out of the way, will provide the best sonic reproduction in the 60Hz – 100Hz range because the output of the woofer will be "corner loaded" against the walls of the vehicle. In any case, the BassLink must not interfere with the safe operation of the vehicle.

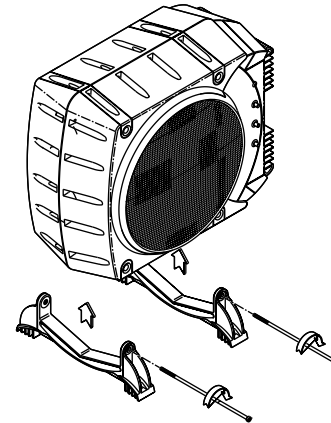
Once you've chosen a mounting location and made the necessary electrical connections, you're ready to mount BassLink securely to the mounting surface (most likely the floor of the luggage compartment). *Caution: Make sure mounting screws will not puncture wiring harnesses, brake or fuel lines, or the vehicle's fuel tank. Some or all of these may be located behind or under the mounting surface.*

## MOUNTING BASSLINK

*Note: A nut has been molded into one of the flanges of each of the mounting feet to facilitate the attachment of the feet to BassLink. Orient the feet so that the captive nut is opposite the control panel. The attachment screws may then be passed through the front or top and attached to the nut in the back or bottom. See Figures 1 and 2 for details.*

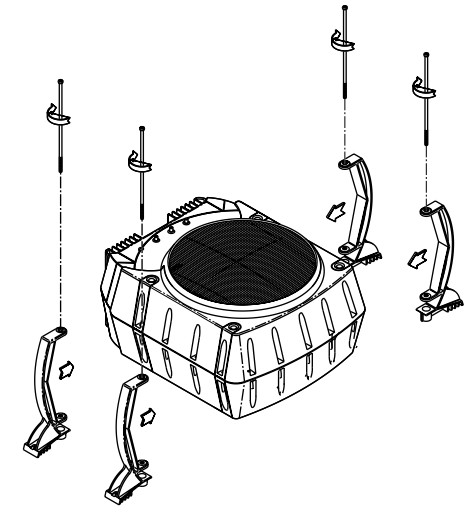
**Vertical Mounting:** Slide the two vertical mounting feet over the bottom of BassLink until they snap into the indentations molded into the bottom and sides of BassLink. The three side-mounted knobs (controls) should face the interior of the trunk or luggage compartment for easy adjustment. Insert the bolt provided through the hole opposite the mounting foot and tighten it with a screwdriver. Securely mount BassLink to the mounting surface with tapping screws. You will use two bolts to mount BassLink vertically.

Figure 1. Vertical mounting of BassLink.



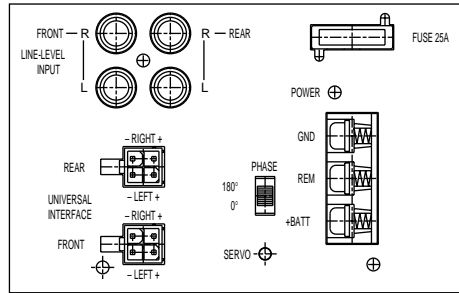
**Horizontal Mounting:** Slide the four horizontal mounting feet over the sides of BassLink until they snap into the indentations molded into the sides and bottom of BassLink. The three side-mounted knobs (controls) should be facing up to allow adjustment after the unit is mounted. Insert the bolt provided through the hole opposite the mounting foot and tighten it with a screwdriver. Securely mount BassLink to the mounting surface with tapping screws. You will use four bolts to mount BassLink horizontally.

Figure 2. Horizontal mounting of BassLink.



## POWER-SUPPLY CONNECTIONS

**Figure 3.** BassLink connections and terminals.



### POWER-SUPPLY CONNECTIONS

**B+:** Connect a wire (at least #12AWG) between the vehicle's + (positive) battery terminal and the "+BATT" terminal on BassLink. You *must* install a fuse holder with a 25A fuse within 18" of the battery. Route the power wire through a grommet in the vehicle's firewall. If there is no factory grommet available, you must install one.

**B-:** Connect a wire (at least #12AWG) between the "GND" terminal on BassLink and a bare metal surface near the mounting location. You may need to scrape away some paint from the metal surface to insure a good connection. Use a screw and a lock (star) washer.

**Remote:** Connect a wire between the remote terminal on BassLink and the remote output wire on your head unit. This wire should provide between +5VDC and +12VDC when the head unit is on and no voltage when the unit is off.

*Note: If your head unit provides preamp outputs it will have a remote wire. If your radio provides only speaker-level outputs, it may not have a remote wire. If you will be using the speaker-level outputs from your head unit, you do not need to connect the remote output. The speaker-level inputs will sense voltage on the speaker wires and the BassLink will turn itself on. If you are using only line-level (RCA) inputs, you must connect the remote wire to the BassLink.*

## INPUT CONNECTIONS

*Note: BassLink is equipped with four line-level (RCA) inputs and four speaker-level inputs. Any combination of line-level and speaker-level inputs may be used to provide nonfading bass when connected to a head unit with four outputs.*

### CONNECTING BASSLINK TO:

**Head units with dedicated subwoofer outputs (line-level):** Connect the subwoofer output from the head unit to either the front or rear line-level inputs.

**Head units with four line-level (RCA) outputs:** Connect the four line-level outputs to the four line-level inputs on BassLink.

**Head units with two line-level outputs and two (or four) speaker-level outputs:** Connect the two line-level outputs from the head unit to either front or rear line-level inputs on BassLink. Connect two speaker-level outputs from the head unit to the Universal Interface inputs on BassLink, which correspond to the *unused* line-level inputs.

**Head units with four speaker-level outputs:** Connect the four speaker-level outputs from the head unit to the four Universal Interface inputs on BassLink.

**Head units with only two speaker-level outputs or two line-level outputs:** Connect the two outputs to either front or rear inputs of corresponding type.

*Note: The Universal Interface input wiring harness included with BassLink is color coded to correspond with the speaker-level outputs of many aftermarket head units and adapters sold as accessories.*

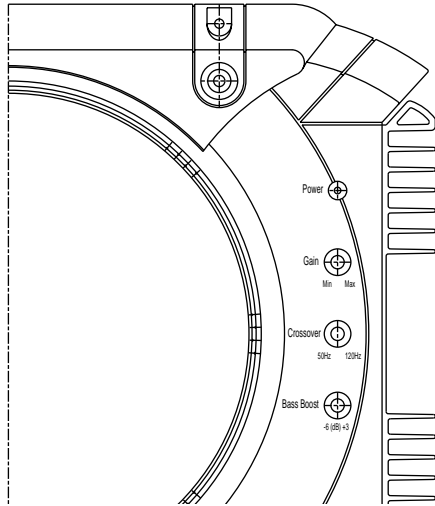
### Universal Interface color code:

- White: front left +
- White/black: front left -
- Gray: front right +
- Gray/black: front right -
- Green: rear left +
- Green/black: rear left -
- Violet: rear right +
- Violet/black: rear right -

## TUNING BASSLINK

BassLink provides several controls that simplify sonic integration with virtually any vehicle's unique acoustic properties. Please read the following section carefully to familiarize yourself with the function of each control.

Figure 4. Locations of controls.



**Phase Control:** The phase control is a switch located on the panel with the electrical connections (see Fig. 3). This switch will reverse the phase of BassLink's output with respect to its input. When installing BassLink with an existing factory or aftermarket system, depending on BassLink's location in the vehicle and the distance between it and the other speakers in the car, reversing the phase (by moving the phase switch) may produce a discernable increase or decrease in the amount of upper bass reproduced. Although the position that yields the most upper bass is technically correct, you may choose the position that better suits your taste.

## CONTROLS AND FUNCTIONS

**Gain Control:** This control will adjust the input sensitivity of BassLink. Use this control to adjust the relative volume (loudness) of BassLink with respect to the other speakers in the vehicle.

**Crossover:** The crossover control adjusts the amount of high-frequency information present in BassLink's output.

**Bass Boost:** BassLink's interaction with the acoustics of your vehicle may produce a peak or dip in BassLink's response. For the vast majority of vehicles, these peaks or dips occur at about 40Hz — around the frequency of a low bass guitar note. Use this control to correct that peak or dip. Adjustment between -6dB and +3dB is possible. Although response without any sharp peaks or dips is technically correct, you may choose the position that best suits your taste.

**Power LED:** The power LED will glow red to indicate that BassLink is operational.

**Servo LED:** The Servo LED will glow green when the servo circuit has determined that the woofer has reached maximum excursion and power to BassLink's woofer has been modified to provide maximum performance. Monitor the servo LED while you are tuning BassLink. When BassLink is properly tuned the servo LED should light momentarily during high-level bass transients. Avoid adjustments that cause the LED to remain lit for extended periods.

## ADJUSTMENT SEQUENCE

1. Start with gain control set to minimum and the crossover control and bass control rotated midway, to 12 o'clock.
2. Choose program material with substantial bass content and turn the volume control on your head unit to three-quarters of its total output (approximately 3 o'clock on rotary controls).
3. Adjust the gain control clockwise until the servo LED flashes with each bass note but doesn't stay lit continuously.
4. Listen to your system, making a mental note of the amount of upper bass present in your system.
5. Switch the phase control to 180 degrees and recheck for upper bass content. There may be more upper bass, less upper bass, or there may be no change. The position that provides the most upper bass is correct, but you may choose either setting according to your taste.
6. Adjust the crossover control clockwise or counterclockwise until the perceived output from BassLink, as heard at the listening position, contains only low-frequency information; i.e., you should NOT hear any vocals coming from BassLink when you are seated in the normal listening position.
7. Adjust the bass-boost control clockwise or counterclockwise to suit your taste.
8. Recheck the servo LED to make sure it's blinking with the bass but is not lit continuously. If it is lit continuously, adjust the gain control counterclockwise until it blinks.

*Note: Although this adjustment sequence will in most cases provide satisfactory tuning, the actual process may include several readjustments of each of the controls since their settings will interact with each other. If necessary, consult your authorized Infinity car-audio dealer for help in tuning your system.*


## TROUBLESHOOTING

1. Power LED not lit: fuse blown, head unit not functioning properly (no remote voltage), faulty power, ground or remote connection.
2. Power LED lit but no sound output: inputs not connected, head unit not functioning properly (no output), head-unit fader control set incorrectly (2-channel connection only).
3. Output from BassLink sounds muddy or distorted: input gain set too high (servo LED lit constantly), bass boost set too high (servo LED lit constantly), head-unit output is distorted or blown.
4. No output from BassLink when head-unit fader control set to front or rear (4-channel connection): input connections improperly wired.

## SPECIFICATIONS

Amplifier Power:	200W RMS
Frequency Response:	20Hz – 120Hz
Fuse:	25A
Maximum Current Draw:	12A
Quiescent Current Draw:	<800mA
Input Sensitivity:	50mV – 4V Line-Level Input 1V – 16V Universal Interface
Crossover Frequency:	50Hz – 120Hz
Crossover Slope:	12dB/octave
Bass Boost:	-6 to +3 dB @ 40Hz
Dimensions (L x W x H):	14-1/2" x 12-1/2" x 8-1/2" (369mm x 318mm x 216mm)


Declaration of Conformity



We, Harman Consumer International  
2, route de Tours  
72500 Chateau-du-Loir  
FRANCE

declare in own responsibility, that the product described in this  
owner's manual is in compliance with technical standards:

EN 55013/A12/8.1994  
EN 55020/12.1994

 Lutz Uphoff  
Harman Consumer International  
France, 4/00