



INFINITY PRIMUS® SPEAKERS

Owner's Manual

P143

P153

P163

P253

P363

PC251

PC351



INFINITY PRIMUS® SERIES

The Primus series of loudspeakers continues the longstanding Infinity commitment to accurate sound reproduction. Our proprietary MMD® (Metal Matrix Diaphragm) drivers, precision dividing networks and rigid, well-braced enclosures combine to deliver uncompromised performance in any stereo or multichannel home theater system. In addition, Primus series speakers are magnetically shielded for safe placement adjacent to a television.

UNPACKING THE SPEAKERS

If you suspect damage from transit, report it immediately to your dealer. Keep the shipping carton and packing materials for future use.

PLACEMENT

Stereo

Before deciding where to place your Primus speakers, survey your room and think about placement, using Figure 1 as a guide and keeping the following points in mind:

- For best results, place the speakers 6 to 8 feet (1.8 to 2.4 meters) apart.
- Position each speaker so that the tweeter is approximately at ear level.
- Generally, bass output will increase as the speaker is moved closer to a wall or corner.
- Refer to the "Home Theater" section on this page if you plan to use the speakers for home theater reproduction.

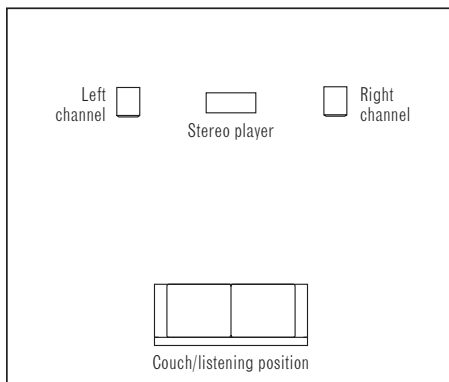


Figure 1. This overhead view shows a typical stereo-speaker plan. Experiment with speaker placement to obtain the best bass level and stereo imaging in your room.

Home Theater

For front-channel use, place one speaker on the left and another on the right of the television monitor. Since the speakers are magnetically shielded, you can place them without worrying about their distorting the TV picture.

For surround-sound use, place the speakers alongside the listening position. Final placement depends on room acoustics, availability of space and your listening preference (Figures 2 and 3).

Place the center-channel speaker on top of or directly below the television. Aim it toward the listening area.

NOTE: An Infinity powered subwoofer will add impact and realism to both music and film soundtracks. Contact your Infinity dealer for recommendations on subwoofer models.

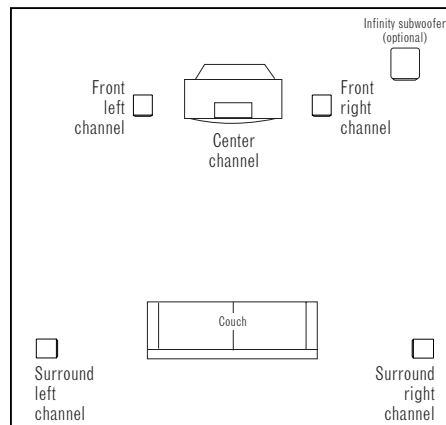


Figure 2. This overhead view shows a typical home theater plan. The left/right rear channels are for a seven-channel system. The center rear channel is for a six-channel system.

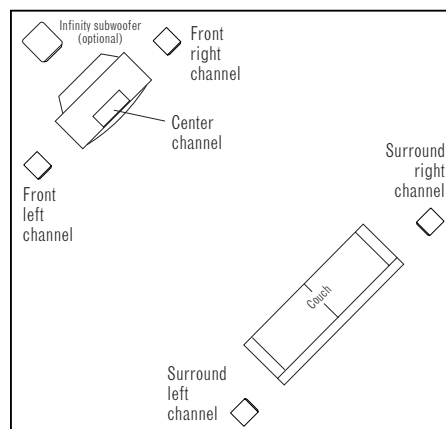


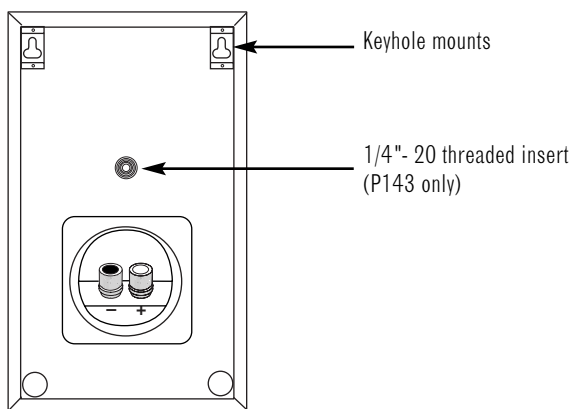
Figure 3. This figure shows an alternate layout, which may be more suitable for some rooms. The left/right rear channels are for a seven-channel system. The center rear channel is for a six-channel system.

WALL-MOUNTING THE P143, P153 AND PC251

We have designed the P143, P153 and PC251 speakers to mount directly onto a wall. Each speaker has two keyholes on the back and will require two 1-1/2" (38mm), #10 wood screws fastened to a wall stud. If a wall stud is unavailable, install an anchor appropriate for a 1-1/2", #10 screw.

NOTE: You are responsible for the correct selection and use of mounting hardware (available through hardware stores) that will ensure the proper and safe wall-mounting of the speakers.

Figure 4.



Step 1.

Mark the positions on the wall where you would like to place the mounting screws.

Step 2.

Fasten two 1-1/2", #10 wood screws to the wall using the markings from Step 1 as your guide. Leave an 11/16" (17.5mm) space between the wall and screwhead. If a wall stud is not available, use an appropriate anchor.

Step 3.

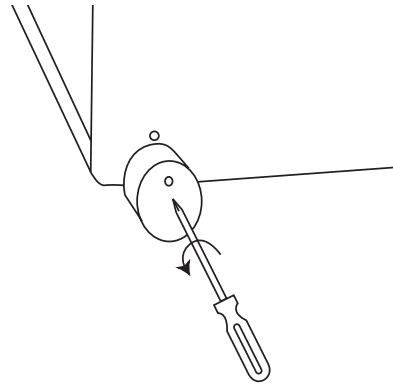
Place the speaker on the wall by aligning the keyholes on the back of the speaker to the screwheads on the wall. Once positioned properly, the speaker should slide down slightly and become secure.

The P143 also allows you to use third-party wall brackets using the 1/4"-20 threaded insert located beneath the keyhole mount. Consult the wall-bracket manufacturer to select the proper bracket.

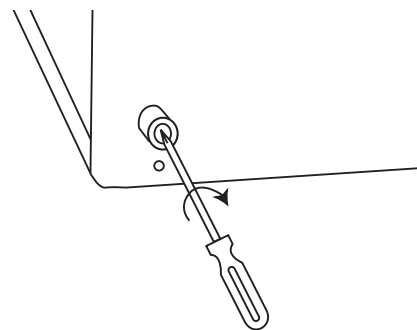
CHANGING THE P253 AND P363 FEET

The P253 and P363 feature attractive outboard feet, installed at the factory. However, if you would like to replace them with the less visible inboard feet (included), follow the instructions below.

1. Remove the four feet on the bottom of the speaker by loosening the screw in each foot. Keep the screws for later use.



2. Remove the rubber plug from each inner hole (and save it for possible future use).
3. Attach the black inboard feet to the inner holes from which you just removed the rubber plugs. Use the same screws that you just removed.
4. Tighten the screws securely, using a handheld Phillips (+ tip) screwdriver. **Do not** use a powered screwdriver of any type.



CAUTION: Floorstanding (tower) loudspeakers have a high center of gravity and may become unstable and tip over during earthquakes or if they are rocked, tipped or improperly positioned. Consider anchoring these speakers to the wall behind them, using the procedures and hardware customary for anchoring bookcases and wall units. You are responsible for proper installation and proper selection of hardware.

WIRING THE SYSTEM

IMPORTANT: Make sure that all equipment is turned off before making any connections.

For speaker connections, use a minimum #16-gauge speaker wire with polarity coding. The side of the wire with a ridge or other coding is usually considered positive polarity (i.e., +).

NOTE: If you are unsure about the proper wire to use, consult your local Infinity dealer about speaker wire and connection options.

The speakers have coded terminals that accept a variety of wire connectors. Figure 5 shows the most common connection.

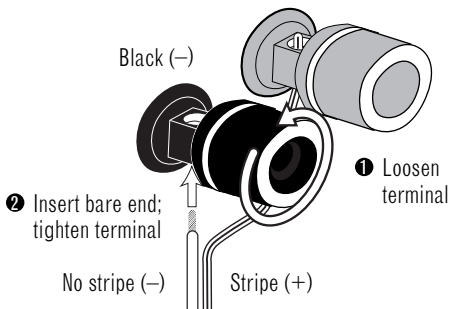


Figure 5. This example shows how to connect bare wires to the terminals.

To ensure proper polarity, connect each + terminal on the back of the amplifier or receiver to the respective + (red) terminal on each speaker, as shown in Figure 6. Connect the – (black) terminals in a similar way. See the owner's guides that were included with your amplifier, receiver and television to confirm connection procedures.

IMPORTANT: Do not reverse polarities (i.e., + to – or – to +) when making connections. Doing so will cause poor imaging and diminished bass response.

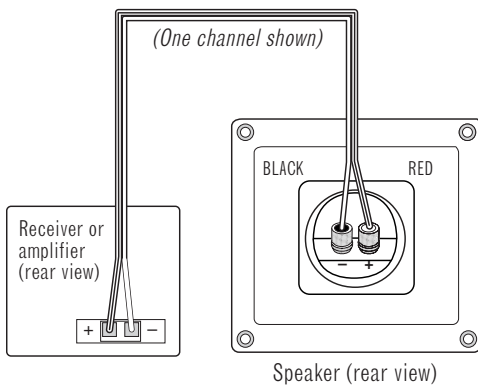


Figure 6. Wiring diagram shows polarity connections for one channel of a stereo or home theater system.

FINAL ADJUSTMENT

Check the speakers for playback, first by setting the system volume control to a minimum level and then by applying power to your audio system. Play a favorite music or video segment, and increase the system volume control to a comfortable level.

NOTE: You should hear balanced audio reproduction across the entire frequency spectrum, from high tones to deep bass. If not, check all wiring connections or consult the authorized Infinity dealer from whom you purchased the system.

A number of different factors – including the room's size and shape, the construction materials used to build the room, the listener's position relative to the speakers, and the position of the speakers in the room – will affect the amount of bass you hear and the stereo-image quality (the placement of sounds in space). Listen to a variety of music selections and note the bass level. If there is too much bass, move the speakers away from nearby walls. Conversely, if you place the speakers closer to the walls, you should hear more bass.

Nearby reflecting surfaces can adversely affect stereo-imaging quality. If they do, try angling the speakers slightly inward toward the listening position until you achieve the best possible sound.

CARE OF YOUR SPEAKER SYSTEM

Each Primus series cabinet has a wood-grain vinyl finish that does not require any routine maintenance. You may use a soft cloth to remove any fingerprints or dust. Clean the grille by gentle vacuuming.

NOTE: Do not use any cleaning products or polishes on the cabinet or grille.

If your Infinity speaker needs service, contact your Infinity dealer or distributor, or visit www.infinitysystems.com for the location of the nearest service center.

SPECIFICATIONS

	P143	P153	P163
Frequency range ($\pm 3\text{dB}$):	100Hz – 20kHz	58Hz – 20kHz	49Hz – 20kHz
Recommended amplifier power:	10 – 100 watts	10 – 100 watts	10 – 150 watts
Sensitivity: (2.83V @ 1 meter)	86dB	88dB	90dB
Nominal impedance:	8 ohms	8 ohms	8 ohms
Crossover frequency:	3000Hz; 24dB/octave	3300Hz; 24dB/octave	3000Hz; 24dB/octave
Low-frequency driver:	4" (100mm) MMD, magnetically shielded	5-1/4" (130mm) MMD, magnetically shielded	6-1/2" (165mm) MMD, magnetically shielded
High-frequency driver:	3/4" (19mm) MMD, magnetically shielded	3/4" (19mm) MMD, magnetically shielded	3/4" (19mm) MMD, magnetically shielded
Dimensions (H x W x D): (with grille)	9-7/8" x 5-15/16" x 6-13/16" (251mm x 150mm x 173mm)	13" x 7-3/8" x 10-1/2" (330mm x 187mm x 267mm)	14-3/4" x 8-1/4" x 11" (375mm x 208mm x 280mm)
Weight:	7 lb (3.2kg)	13.5 lb (6kg)	16.1 lb (7.3kg)

	P253	P363	PC251	PC351
Frequency range ($\pm 3\text{dB}$):	49Hz – 20kHz	38Hz – 20kHz	80Hz – 20kHz	80Hz – 20kHz
Recommended amplifier power:	10 – 150 watts	10 – 200 watts	10 – 150 watts	10 – 150 watts
Sensitivity: (2.83V @ 1 meter)	92dB	93dB	90dB	91dB
Nominal impedance:	8 ohms	8 ohms	8 ohms	8 ohms
Crossover frequency:	2500Hz; 24dB/octave	350Hz, 3300Hz; 24dB/octave	3000Hz; 24dB/octave	650Hz, 2800Hz; 24dB/octave
Low-frequency driver:	Dual 5-1/4" (130mm) MMD, magnetically shielded	Dual 6-1/2" (165mm) MMD, magnetically shielded	Dual 5-1/4" (130mm) MMD, magnetically shielded	Dual 5-1/4" (130mm) MMD, magnetically shielded
Mid-frequency driver(s):	N/A	4" (100mm) MMD, magnetically shielded	N/A	Dual 3" (75mm) MMD, magnetically shielded
High-frequency driver:	3/4" (19mm) MMD, magnetically shielded	3/4" (19mm) MMD, magnetically shielded	3/4" (19mm) MMD, magnetically shielded	3/4" (19mm) MMD, magnetically shielded
Dimensions (H x W x D): (with grille)	35-3/4" x 7-3/8" x 11-3/4" (908mm x 187mm x 300mm)	39-1/4" x 8-1/4" x 13" (997mm x 208mm x 330mm)	7-5/8" x 18" x 9-5/8" (194mm x 457mm x 245mm)	7-3/8" x 23-7/8" x 9-1/4" (187mm x 606mm x 235mm)
Weight:	35.3 lb (16kg)	48.5 lb (22kg)	17.6 lb (8kg)	25 lb (11.4kg)

Infinity engineers continually strive to update and improve existing products as well as to create new ones. The specifications and construction details in this and related Infinity publications are therefore subject to change without notice.

NOTES

NOTES



HARMAN

Harman Consumer, Inc.
8500 Balboa Blvd., Northridge, CA 91329 USA

© 2010 Harman International Industries, Incorporated. All rights reserved.
Infinity, Infinity Primus and MMD are trademarks of Harman International Industries, Incorporated, registered in the United States and/or other countries. Dolby is a registered trademark of Dolby Laboratories. DTS is a registered trademark of DTS, Inc. Features, specifications and appearance are subject to change without notice.

Part No. 950-0303-001 6/10

www.infinitiesystems.com